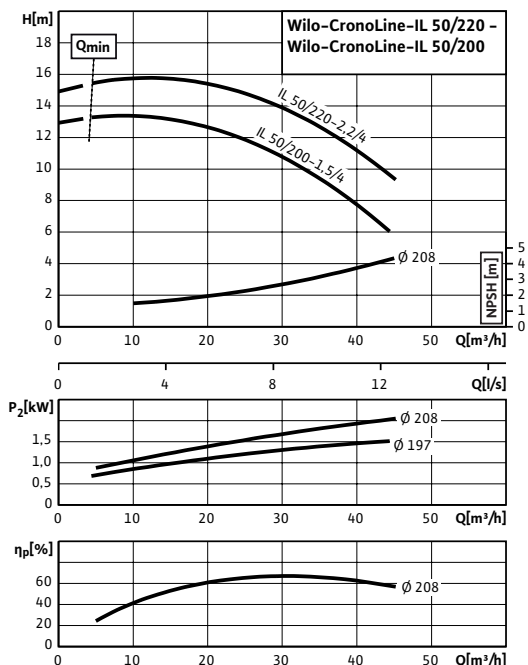


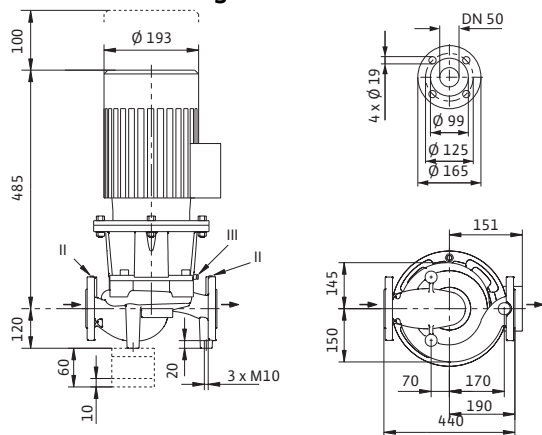
Data sheet: Wilo-CronoLine-IL 50/200-1,5/4

Pump curves

4-pole, 50 Hz

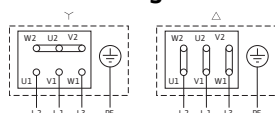


Dimension drawing



II Pressure measuring connection R1/8; III Ventilation R1/8

Terminal diagram



Δ: Connection diagram delta connection

Y: Connection diagram star connection

Motor protection switch required on-site.

Check the direction of rotation! To change the direction of rotation, exchange any two phases.

$P_2 \leq 3$ kW

3~400 V Y
3~230 V Δ

$P_2 \geq 4$ kW

3~690 V Y
3~400 V Δ

After removing the bridges, Y-Δ start is possible.

Approved fluids (other fluids on request)

Heating water (in accordance with VDI 2035)	•
Water-glycol mixtures (for 20-40 vol.% glycol and fluid temperature ≤ 40 °C)	•
Cooling and cold water	•
Heat transfer oil	Special version at additional charge

Permitted field of application

Standard version for operating pressure	P_{max}	13 bar (up to +140 °C) bar 16 bar (up to +120 °C) bar
Special version for operating pressure	P_{max}	25 bar
Temperature range at max. ambient temperature +40 °C		-20...+140 °C (depending on the fluid)
Max. ambient temperature		+40 °C
Installation in closed buildings		•
Outdoor installation		Special version at additional charge

Pipe connections

Nominal flange diameter	DN 50
Flanges (according to EN 1092-2)	PN 16 (PN25 on request)
Flange with pressure-measurement connections	R 1/8

Materials

Pump housing	EN-GJL-250
Pump housing (special version)	EN-GJS-400-18-LT
Lantern	EN-GJL-250
Lantern (special version]	EN-GJS-400-18-LT
Impeller	EN-GJL-200
Impeller (special version)	G-CuSn10
Pump shaft	1.4122
Mechanical seal	AQEGG
Other mechanical seals	On request

Electrical connection

Mains connection	3~400 V, 50 Hz
Nominal speed	n 1450 rpm

Minimum Efficiency Index (MEI)

Minimum Efficiency Index (MEI)	≥ 0.40
--------------------------------	-------------

Data sheet: Wilo-CronoLine-IL 50/200-1,5/4



Pump with max. impeller diameter for determining the MEI IL50/220-2,2/4

Motor/electronics

Integrated full motor protection Special version with PTC thermistor sensor (KLF) at additional charge

Protection class IP 55

Insulation class F

Rated current (approx.) I_N 3~40 3.4 A
0 V

Motor efficiency level IE2

Motor efficiency η_m 78.7/81.3/82.8 %
 $\frac{50\%}{m}$
 $\frac{75\%}{m}$
 $\frac{100\%}{m}$

Power factor $\cos \varphi$ 0.75

Nominal motor power P_2 1.5 kW

Motor winding up to 3 kW 230 V Δ /400 V Y, 50 Hz

Motor winding from 4 kW 400 V Δ /690 V Y, 50 Hz

Installation options

Pipe installation (≤ 15 kW motor power) •

Support-bracket mounting •

Information for order placements

Weight approx. m 66 kg

Make Wilo

Type CronoLine-IL 50/200-1,5/4

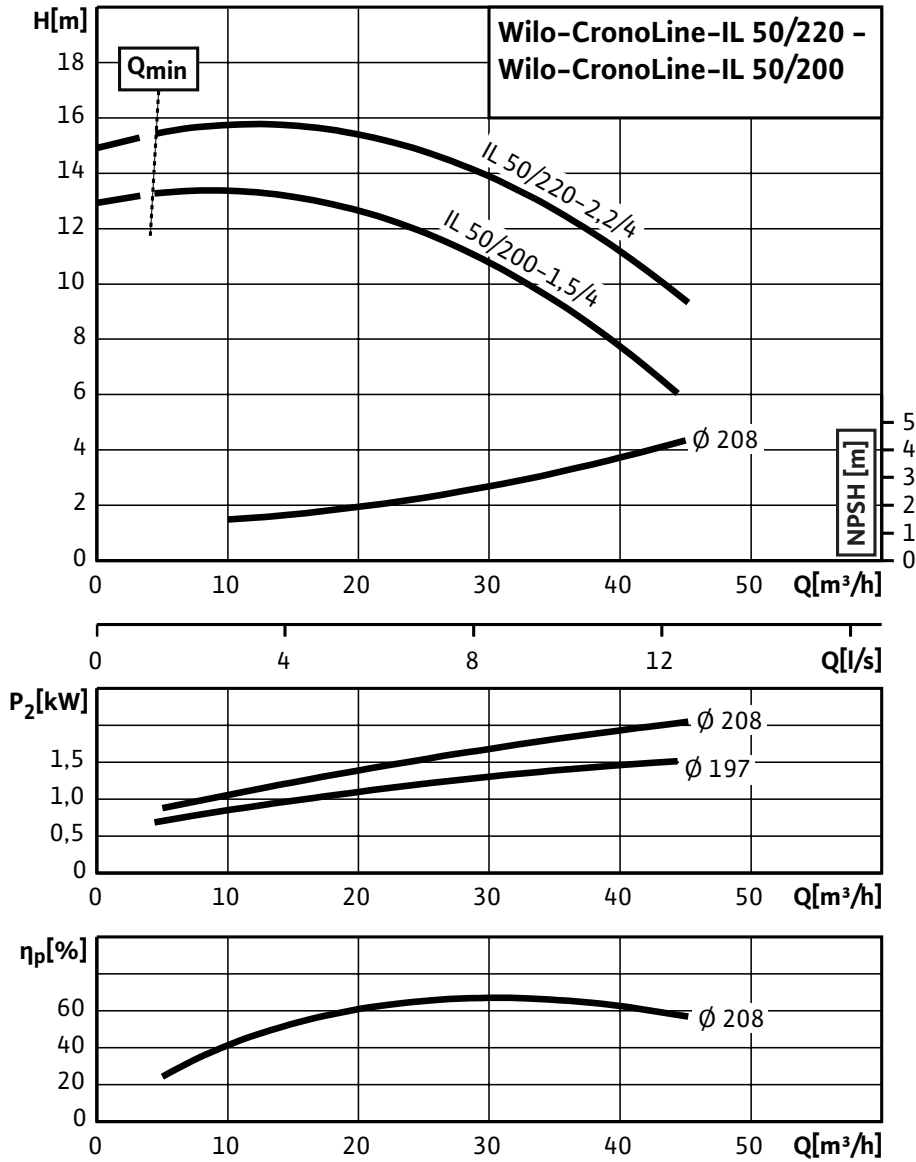
Art no. 2084229

Observe motor name plate data

Pump curves: Wilo-CronoLine-IL 50/200-1,5/4

Pump curves

4-pole, 50 Hz



Ordering information: Wilo-CronoLine-IL 50/200-1,5/4

Information for order placements

Make	Wilo	
Type	CronoLine-IL 50/200-1,5/4	
Art no.	2084229	
EAN number	4016322916406	
Colour	Green	
Minimum order quantity	1	
Minimum order quantity unit	PCE	
Weight (net)	<i>kg</i>	66
Length (net)	<i>mm</i>	605
Width (net)	<i>mm</i>	295
Height (net)	<i>mm</i>	440
Weight (gross)	<i>kg</i>	67.65
Length (gross)	<i>mm</i>	610
Width (gross)	<i>mm</i>	310
Height (gross)	<i>mm</i>	450
Packaging type	Cardboard box	

Specification texts: Wilo-CronoLine-IL 50/200-1,5/4

Single-stage glanded centrifugal pump with in-line design for pipe installation or installation on a base. Mounting brackets at extra charge. Low-vibration and low-noise monobloc design with lantern and rigidly connected standard flange motor. With forced-flow circulation, bidirectional bellows mechanical seal and cavitation-reducing impeller. Flange with R 1/8 pressure measuring connections. Pump housing and lantern are cathaphoretic-coated.

Materials

Pump housing: EN-GJL-250

Lantern: EN-GJL-250

Impeller: EN-GJL-200

Pump shaft: 1.4122

Mechanical seal: AQEGG

Permitted field of application

Standard version for operating pressure: 13 bar (up to +140 °C) / bar16 bar (up to +120 °C) bar

Temperature range at max. ambient temperature +40 °C: -20...+140 °C (depending on the fluid)

Max. ambient temperature: +40 °C

Pipe connections

Nominal flange diameter: DN 50

Flanges (according to EN 1092-2): PN 16 (PN25 on request)

Flange with pressure-measurement connections: R $\frac{1}{8}$

Overall length: 440 mm

Minimum Efficiency Index (MEI)

Minimum Efficiency Index (MEI): ≥ 0.40

Pump with max. impeller diameter for determining the MEI: IL50/220-2,2/4

Motor/electronics

Protection class: IP 55

Insulation class: F

Rated current (approx.): 3.4 A

Motor efficiency level: IE2

Motor efficiency: 78.7/81.3/82.8 %

Power factor: 0.75

Nominal motor power: 1.5 kW

Nominal speed: 1450 rpm

Weight

Weight approx.: 66 kg

Information for order placements

Art no.: 2084229

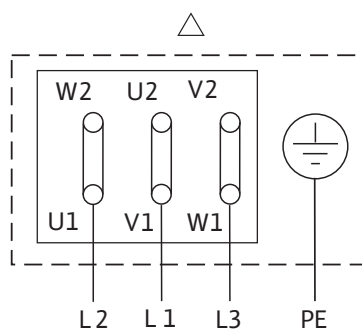
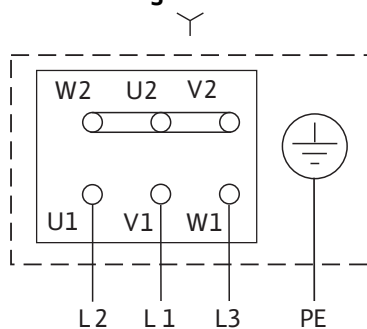
Type: CronoLine-IL 50/200-1,5/4

Specification texts: Wilo-CronoLine-IL 50/200-1,5/4

Make: Wilo

Terminal diagram : Wilo-CronoLine-IL 50/200-1,5/4

Terminal diagram



Δ: Connection diagram delta connection

Y: Connection diagram star connection

Motor protection switch required on-site. Check the direction of rotation! To change the direction of rotation, exchange any two phases.

$P_2 \leq 3 \text{ kW}$	3~400 V Y
	3~230 V Δ
$P_2 \geq 4 \text{ kW}$	3~690 V Y
	3~400 V Δ

After removing the bridges, Y-Δ start is possible.